

- Low-loss RF SAW filter for AMPS, CDMA, and TDMA applications
- No matching network required for operation at 50Ω
- Ceramic package for Surface Mounted Technology (SMT)
- Lead-free production and RoHS compliant

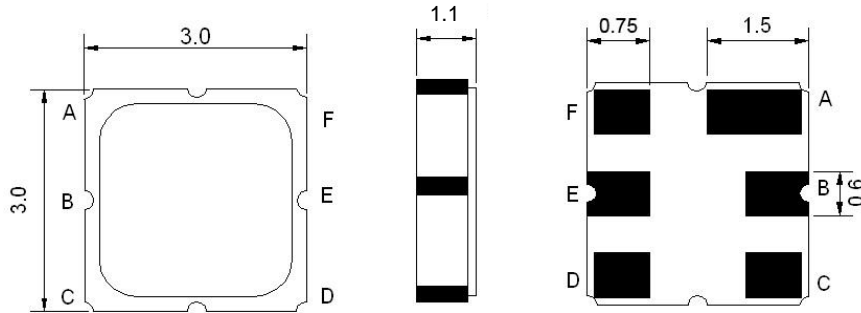


Electrical Characteristics

MAXIMUM RATING				
PARAMETERS DESCRIPTION	UNIT	MINIMUM	TYPICAL	MAXIMUM
Operating Temperature Range	°C	-10	-	+65
Storage Temperature Range	°C	-40	-	+85
Maximum DC Voltage	V _{DC}	-	-	12
Maximum Input Power Level	dBm	-	-	10
Source Impedance	Ω	-	50	-
Load Impedance	Ω	-	50	-
Length x Width	mm ²	-	3.0 x 3.0	-
Height	mm	-	-	1.1

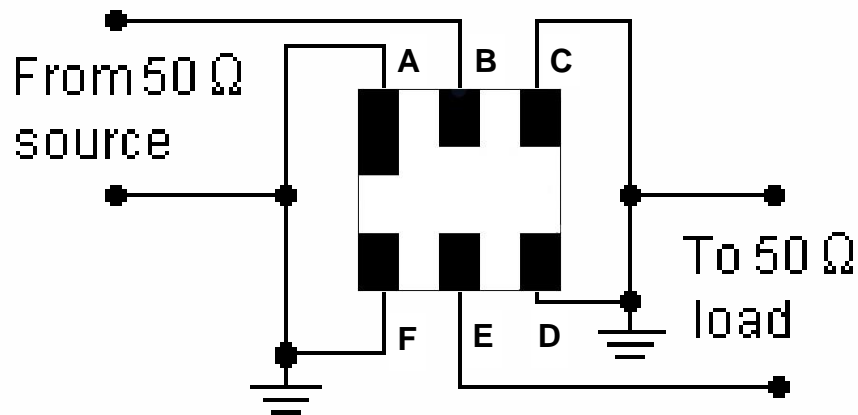
ELECTRICAL SPECIFICATION				
PARAMETERS DESCRIPTION	UNIT	MINIMUM	TYPICAL	MAXIMUM
Center Frequency (F _o)	MHz	-	836.5	-
3dB Bandwidth	MHz	-	±17.4	-
Usable Bandwidth	MHz	-	±12.5	-
Insertion Loss @ 824.00 ~ 849.00MHz	dB		2.7	3.5
Amplitude Variation (p-p) @ 824.00 ~ 849.00MHz	dB		0.85	1.5
Absolute Attenuation:				
DC ~ 800.00 MHz	dB	40	50	
869.00 ~ 925.00 MHz	dB	28	32	
925.00 ~ 2000.00 MHz	dB	40	45	

Package Dimensions



Pin Description	
B	Input / Output
E	Output / Input
A, C, D, F	Case Ground

Testing Environment



Frequency Characteristics**Frequency Response**